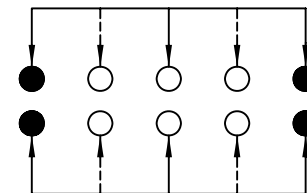
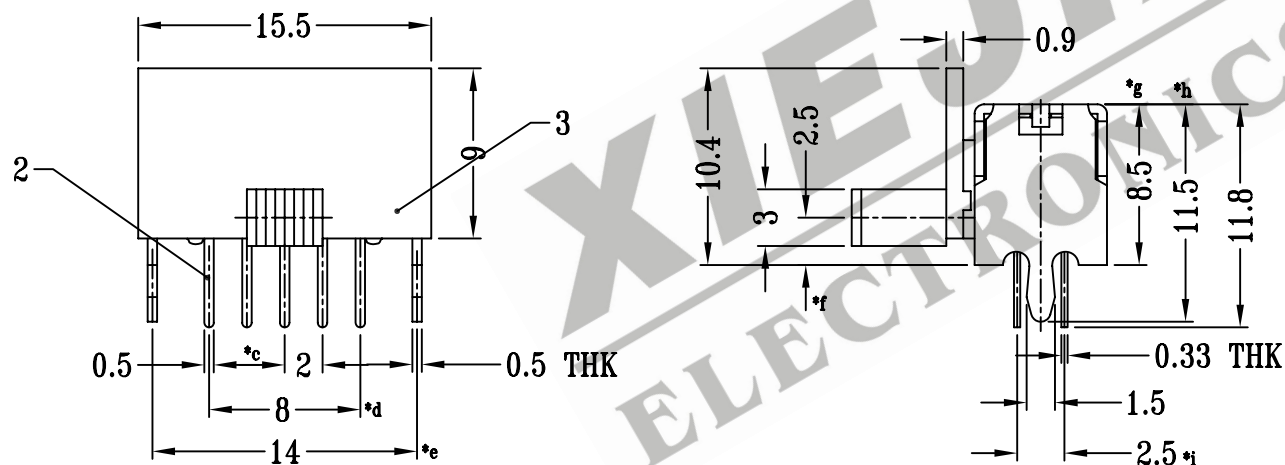
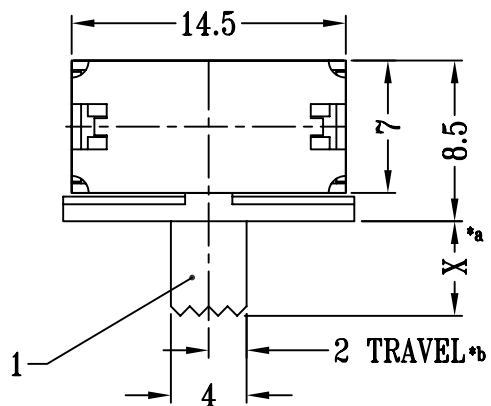
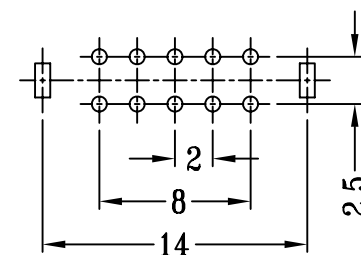


CAD FILE :



SCHEMATIC (SHORTING)



P.C.B LAYOUT

注:带"*"表示关键尺寸(9个)

NO.	PART NAME	MATERIAL	QTY.	FINISHING	TOLERANCE UNLESS SPECIFIED	SHENZHEN XIEJIA ELECTRONICS CO.,LTD.				
8										
7										
6	SPRING PLATE	STAINLESS STEEL	1	NATURAL	WITHIN: 1.5±0.1mm	ISSUE	DATE	DESCRIPTIONS	APPD	
5	CONTACT CLIP	PBS	2	Ag CLAD	OVER : 1.5±0.2mm					
4	BASE	PHENOLIC RESIN	1	NATURAL	TITLE: HORIZONTAL SLIDE SWITCH		UNIT : M M	DRWG NO :XJ-DR-SK23D45-00		
3	FRAME	STEEL STRIP	1	Zn PLATED	MODEL: SK-23D45		SCALE : 5:2	DWN.	ZHOUYU	2007-5-9
2	TERMINAL	BRASS STRIP	10	Ag PLATED OVER Ni PLATED				CHK'D	FANGYING	2007-5-9
1	KNOB	POM	1	BLACK	ALL MATERIALS MUST BE COMPLIANT TO ROHS			APPD.	KANGXINAN	2007-5-9